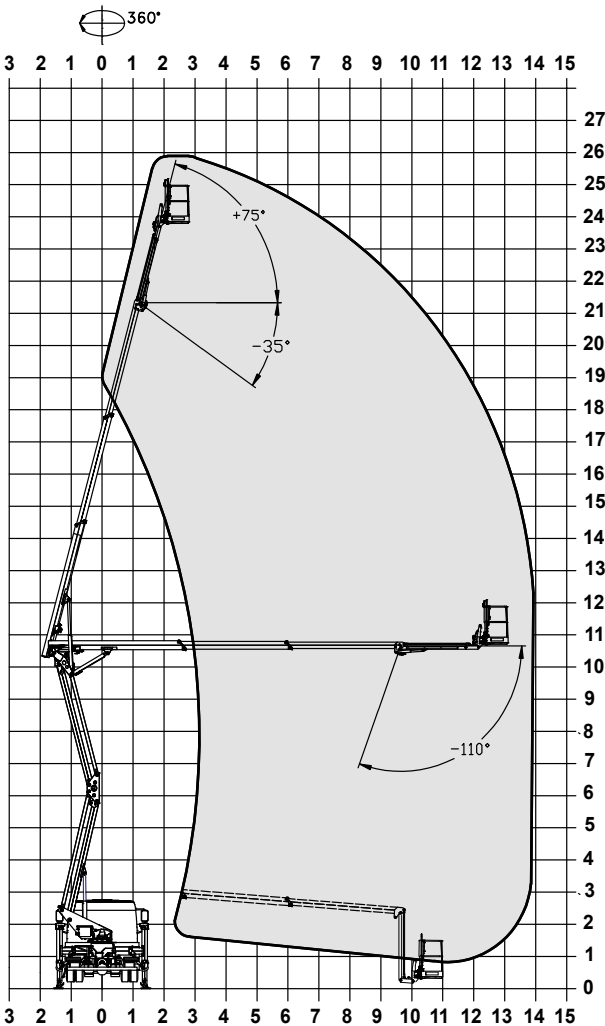


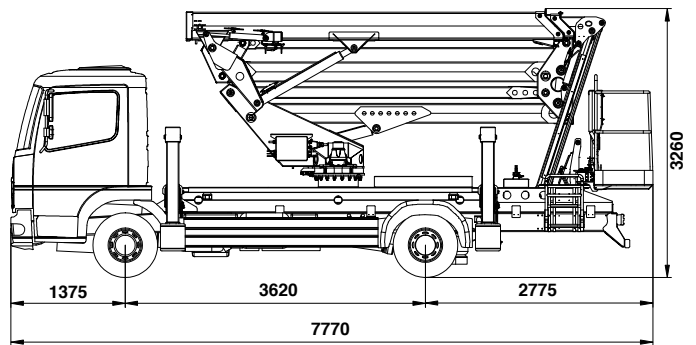
SPECIFICATION

ZED 26 JH

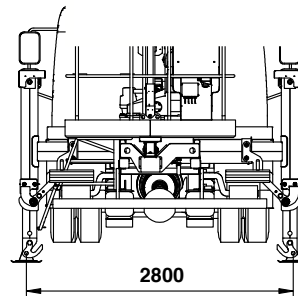
WORKING ENVELOPE


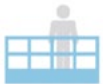





DIMENSIONS



OUTRIGGER FOOT



	↑ 26 m*		→ 14 m*
	230 kg		24 m
	1800x700x1100 mm	GVW min	7,5 t

* outreach and height max values and repeatability can change within ± 3% due to manufacturing variation and working condition.

Product specifications are subject to change without notice or obligation. Technical features and drawings in this brochure are for illustrative purposes only. _ZED 26 JH -