

# SPIDER 15.75

TRACKED AERIAL WORKING PLATFORMS

EN



**PL** / **TFORM**  
B A S K E T

RAISING THE STANDARD

 **Reactive**  
Access Platforms Ltd

**HIRE**

Made in Italy





# SERIES SPIDER 15.75

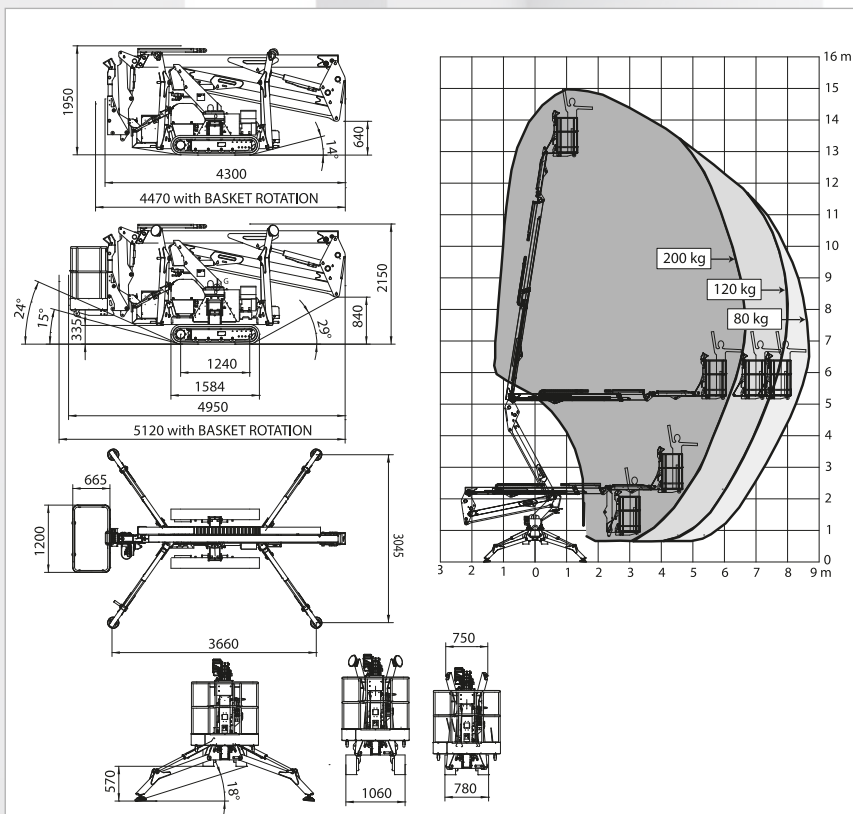
**The Best solution for the maintenance of building frontage**

- Available with KUBOTA diesel engine with liquid cooling
- Available in bi-energy Electric version with 230Vac motor and Lithium-technology batteries
- Easy access to each component for simplified maintenance
- Easy to use with precise and proportional controls
- Equipped with flying jib without any basket capacity restriction

- Air/water and 230Vac outlets are available into the basket
- Fully protected by metal covers against falling objects
- Cranked outrigger design for increased ground clearance
- Quick detach and interchangeable cage



campbelltv.com 31119



		STD	E	ED
<b>TECHNICAL SPECIFICATIONS</b>				
Maximum working height	m		15,00	
Floor height	m		13,00	
Maximum side outreach	m	7,40 (120kg)		
Rotation angle of the tower	°	360		
Aluminium basket dimensions	m	1,30 x 0,70		
Basket rotation angle	°	70+70		
Maximum capacity of basket	Kg	200		
Length closed (basket disassembled)	m	5,00 (4,36)		
Minimum width closed	mm	780		
Minimum height closed	mm	1950		
Overall dimensions Stabilization	m	3,00 x 3,66		
Maximum horizontal inclination	degrees/%	16° (29%)		
Maximum side inclination	degrees/%	17° (31%)		
Maximum speed	Km/h	1,5/2,5	0,8/1,5	1,5/2,5
<b>WEIGHTS</b>				
Weight in work conditions*	Kg	1.980*	2.100*	2250*
Ground pressure stowed machine	KN/m <sup>2</sup>		3,09	
Ground pressure when on stabilizers	KN/m <sup>2</sup>		1,87	
Max point load on one stabilizer	KN		14,30	
<b>POWER</b>				
Honda iGX390 petrol engine	HP/rpm	13/3600	-	-
Z482 Kubota diesel engine	HP/rpm	13/3200	-	-
Electric Motor 230Vac/50Hz (110Vac/60Hz)	CV/KW	2,20/3 (1,50/2)	2,20/3 (1,50/2)	-
Electric Motor 24 Vdc	CV/KW	-	3,5/4,8	3,5/4,8
Traction battery capacity	Ah	-	210	210
			300	300

\* Subject to change depending on configuration.