

2013 SERIES

# LIGHTLIFT 20.10



PERFORMANCE **III**S

# Hinowa®

HIGH PERFORMANCE  
AND COMPACT  
TRACKED AERIAL  
PLATFORM

**HIRE**



**230 kg  
capacity!**

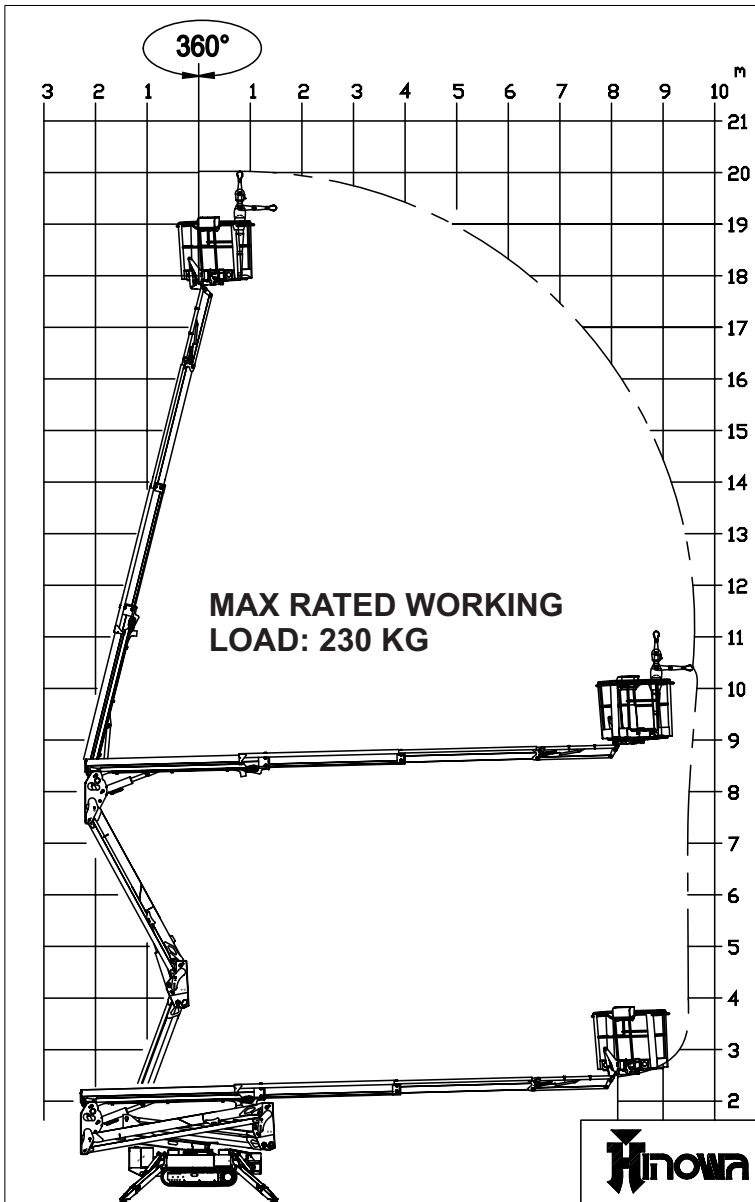
[www.hinowa.com](http://www.hinowa.com)

## DISTINCTIVE FEATURES

- 230 kg capacity for the whole working area
- Wide working diagram: 20 m working height and 9.7 m continuous outreach with flush with the wall trajectory
- Wide range of motorizations available
- Speed and precision of the movements



## PERFORMANCE III



**CAPACITY**  
230 kg

**MAX WORKING HEIGHT** 20,15 m

**MAX HORIZONTAL WORKING OUTREACH** 9,70 m

**TRANSPORT LENGTH** 5,01 m

**TRANSPORT LENGTH WITHOUT BASKET AND ROTATED SUPPORT** 4,50 m

**TRANSPORT HEIGHT** 1,99 m

**STANDARD CAGE DIMENSIONS** 1335x690xh.1100 mm

**WEIGHT WITHOUT FUELS AND OIL** 2800 kg (with petrol engine)

**TOTAL OPERATING WEIGHT** 2880 kg (with petrol engine)

**THERMIC ENGINE AVAILABLE**

- Honda iGX440-12,7HP 3600 rpm
- Perkins 402.05-14HP 3600 rpm

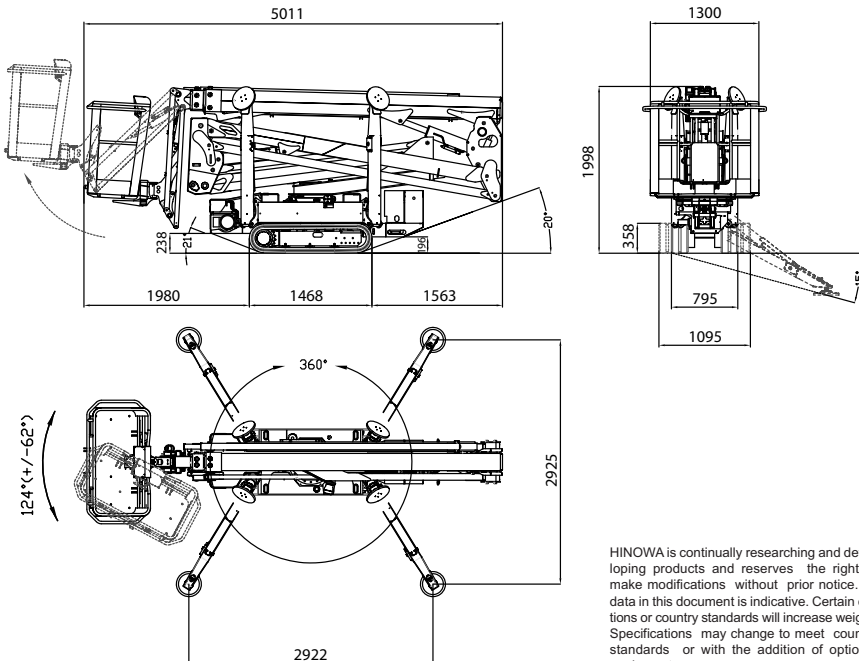
**ELECTRIC MOTOR** 2,2kw-230V-50Hz (110 optional) 1500rpm

**CLOSED MACHINE WIDTH** 795 /1095 mm



**ELECTRIC MOTOR WITH LITHIUM BATTERIES**

OPTIONAL 90Ah / 72V



HINOWA is continually researching and developing products and reserves the right to make modifications without prior notice. All data in this document is indicative. Certain options or country standards will increase weight. Specifications may change to meet country standards or with the addition of optional equipment.



**HINOWA SPA**  
Via Fontana • 37054 NOGARA • Verona • Italy  
Tel. +39 0442 539100 • Fax +39 0442 539075  
info@hinowa.com  
[www.hinowa.com](http://www.hinowa.com)