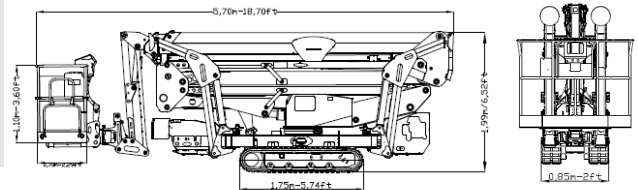


TRUCK MOUNTED AERIAL PLATFORMS AND CRAWLER AERIAL PLATFORMS

Technical data

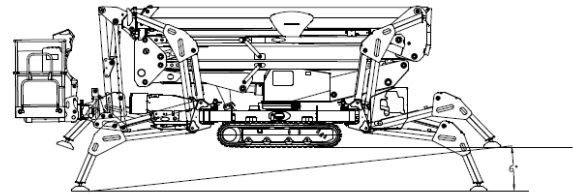
PERFORMANCE

Max. working height	23,00 m
Max. work outreach (long area with 80 kg)	12,40 m
Max. load on the basket	200 kg
Turret rotation	+/-360° (720° continui)
Basket rotation	+/-90° (*optional)
(P) Max. slope to stabilize	6° / 10,51%
(W) Max. ramp slope (attack)	14° / 24,93%
(X) Max. slope to travel	17° / 30,57%
Max. travel speed	0,5/0,7/1,2 km/h



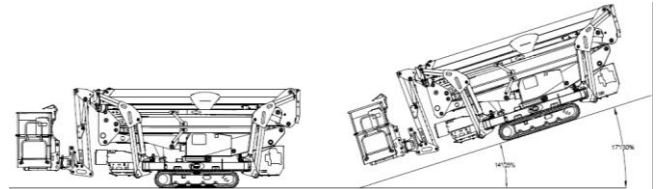
DIMENSIONS

(A) Basket height	1,10 m
(B) Basket width	0,70 m
(C) Basket length	1,40 m
(D) Total length	5,70 m
Total length without basket	5,34 m
(F) Height in driving position	1,98 m
(G) Total width	0,88 m
(with basket rotated)	
(H) Free height from the ground	0,20 m
(I) Tracks (L x W)	1,75 x 0,25 m
(J) Max. longitudinal stabilization	5,20 m
(K) Max. cross stabilization	3,84 m
(N) Min. longitudinal stabilization	3,81 m
(O) Min. cross stabilization	2,46 m
Stabilizers plate Ø	0,18 m



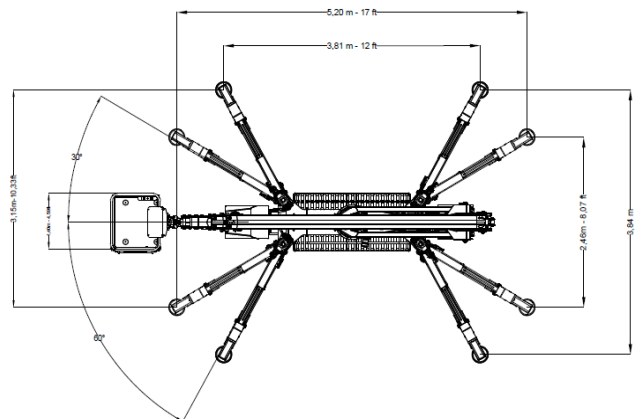
WEIGHT AND PRESSURES

Total weight	3000 kg
(R) Max. pressure on the foot	2,7 Kg/cm ² (26,5 N/cm ²)
(S) Max. pressure on the track	0,2 Kg/cm ² (2,03 N/cm ²)
(T) Max. pressure in travel	651 Kg/m ² (6,38 KN/m ²)
(U) Max. pressure in work (4 feet opened)	225 g/m ² (2,21 KN/m ²)
(V) Max. pressure in work (4 feet closed)	224 Kg/m ² (2,2 KN/m ²)
(Y) Max. pressure in work	258 Kg/m ² (2,53 KN/m ²)

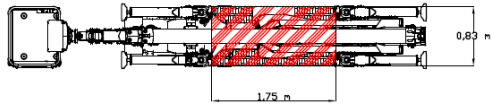


POWERS

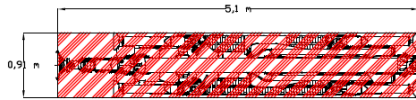
Standard hydraulic feed	1) Honda GX390 petrol, 8.7 kW (11.7 HP) a 3600 rpm Yanmar L100N6CF1T1AA diesel, 7.4 kW a 3600 rpm
*Optional hydraulic feed	2) Honda iGX390 petrol, 8.7 kW (11.7 HP) a 3600 rpm 3) Kubota Z602-E4B diesel, 12.5 kW (16.8 HP) a 3600 rpm 4) Electric engine 220/120/110 V 5) Motor G0901306, 9 kW, 48 V, with lithium batteries 100 Ah
Tank capacity	15 l



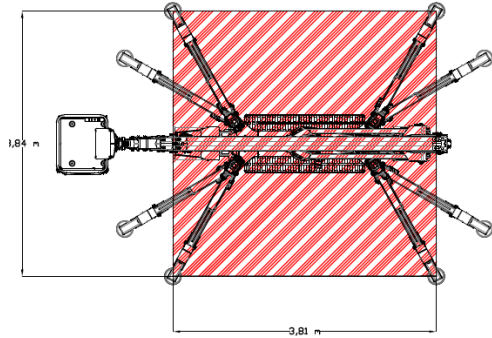
TRUCK MOUNTED AERIAL PLATFORMS AND CRAWLER AERIAL PLATFORMS



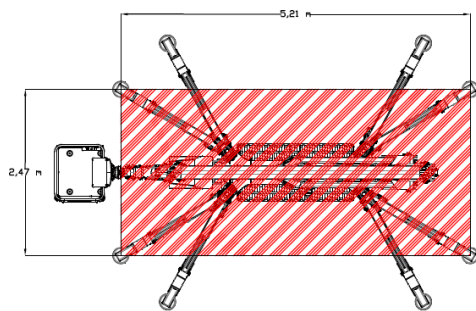
(S)



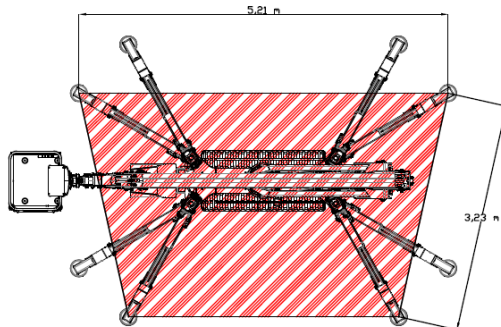
(T)



(U)



(V)



(Y)

TRUCK MOUNTED AERIAL PLATFORMS AND CRAWLER AERIAL PLATFORMS

WORKING DIAGRAM

