

SPIDER 43 T

TRACKED AERIAL WORKING PLATFORMS

EN



PL / **TFORM**
B A S K E T

RAISING THE STANDARD

 **Reactive**
Access Platforms Ltd

HIRE

Made in Italy



SERIES SPIDER 43 T

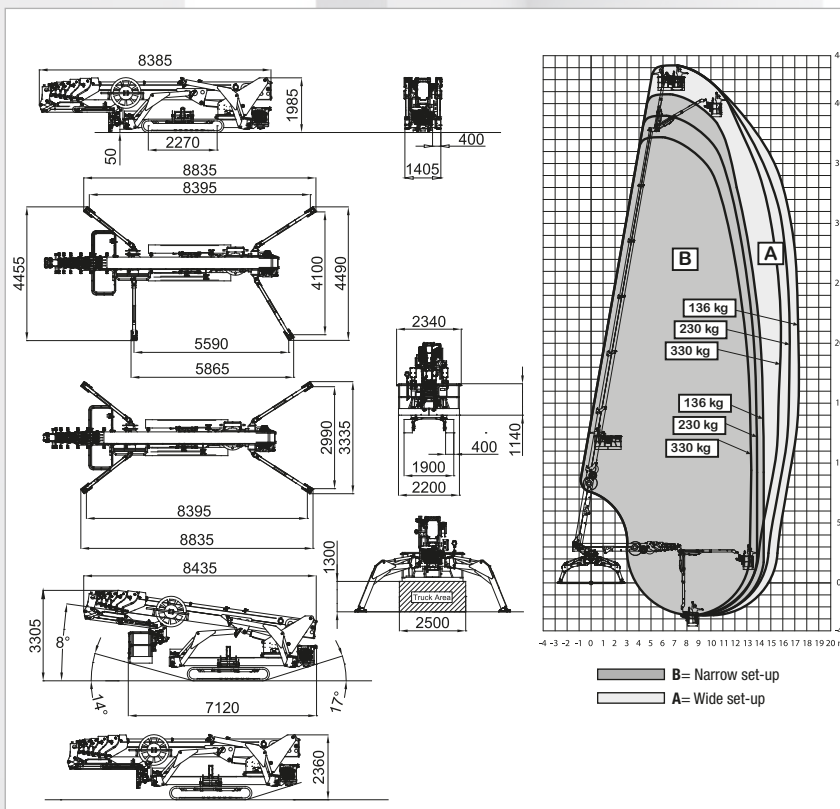
Stability at high altitude

- Automatic stabilization and automatic storage device
- Bi energy Diesel+ Lithium Ion batteries available on demand
- Radio remote control, with a selector fast/slow for the drive
- Easy maintenance
- Simple and intuitive on-board equipment
- Diagnostics with display installed on board

- Reduced overall dimensions
- Double telescopic articulated boom for an increased velocity while working at height



campbell.com 31119



TECHNICAL SPECIFICATIONS		STD	ED
Maximum working height	m		43,18
Floor height	m		41,15
Maximum side outreach	m		17,33
Rotation angle of the tower (endless)	°		360
Aluminium basket dimensions	m	2,34x0,87	
Basket rotation angle	°	90+90	
Maximum capacity of basket	Kg	330	
Length closed (basket disassembled)	m	8,46 (8,43)	
Minimum width closed	m	1,41	
Minimum height closed	m	1,99	
Overall dimensions	Wide Narrow	m	
Stabilization		5,23 x 5,59 4,01 x 7,80	
Maximum horizontal inclination	degrees/%	15° (27%)	
Maximum side inclination	degrees/%	17° (31%)	
Maximum speed	Km/h	1,5	1,5
WEIGHTS		STD	ED
Weight in work conditions*	Kg	12430*	12570*
Ground pressure stowed machine	KN/m²	6,16	6,23
Ground pressure when on stabilizers	KN/m²	4,17	4,22
Max point load on one stabilizer	KN	92,6	93,6
POWER		STD	ED
D1803 Kubota diesel engine	HP/rpm	37/2700	37/2700
Electric motor 380 Vac	CV/KW	15/380	-
Electric Motor 24 Vdc	CV/KW	-	6,7/48
Traction battery capacity	48Vdc Lithium Ion	Ah	200
Battery charger	lead acid lithium ion	Ah	- 100/50

* Subject to change depending on configuration.